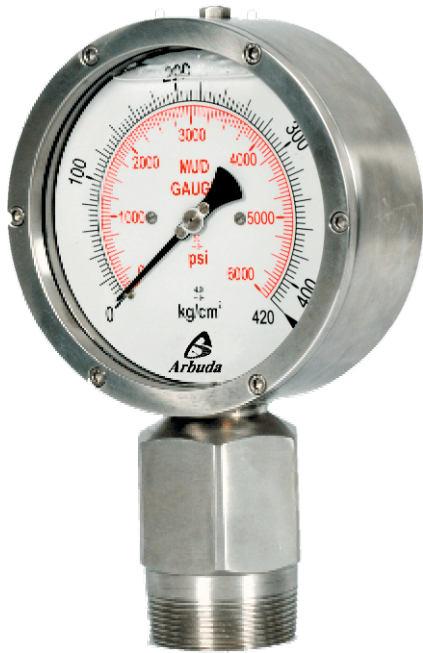


MUD Pressure Gauge Diaphragm Operated



Special Features

- Rugged Construction
- Designed for Oil Industries / Coal Industries
- This Gauge is specially designed to measure of pulsating fluids Including solid particles in suspension of stand pipe of mud pump.
- it can also be used for any other fluid
- The Pressure ranges meet every requirements of Oil Industries.

Application

- MUD Pump
- Petroleum Industries
- Well Drilling

Specifications

Standard Version : 150 mm Dial Size

Accuracy	:	±2 % of F.S.
Ambient temperature	:	- 20°C to + 65°C
Process temperature	:	Max. 100°C
Operating pressure range	:	100% of Scale Value
Over pressure limit	:	130% of Max. Scale Value
Enclosure Protection	:	IP 68
Pressure Ranges	:	0 to 100 bar / 0 to 200 bar / 0 to 400 bar / 0 to 700 bar & 0 to 1000 bar

Case	:	Machined Solid Stainless Steel 304
Bourdon	:	S S 316L
Movement	:	S S 316
Seal Chamber	:	SS 316
Sensing Element	:	S S 316L Diaphragm
Seal Chamber Fill fluid	:	Silicon Oil

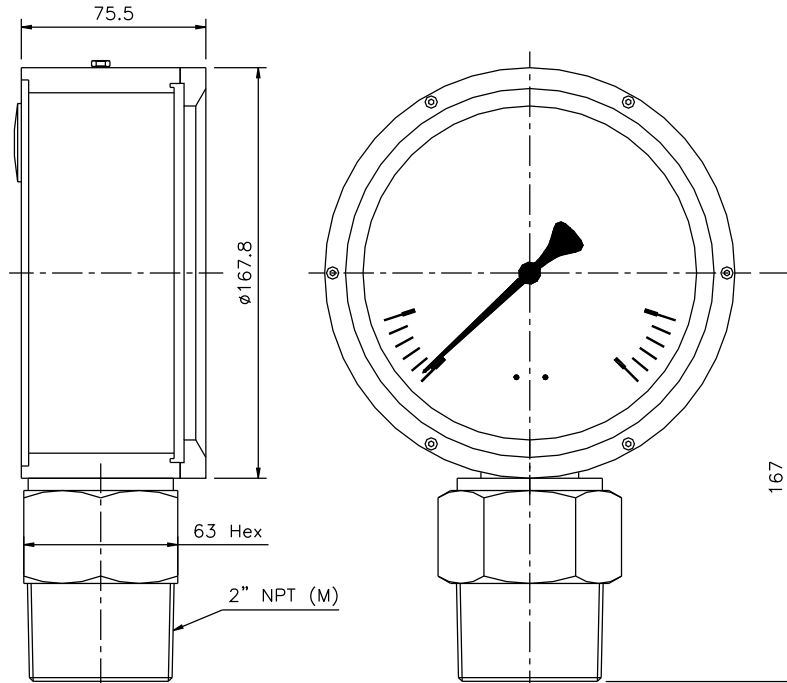
Dial	:	Aluminium, black graduation on white background
Pointer	:	Black coloured, Micro meter Zero Adjustment
Window	:	Plexi Glass
Case Filling Fluid	:	Glycerin

Temperature effect :

The variation of indication caused by effects of temperature is to be calculated by below formula; which is to be added in the specified accuracy while measurement :- Formula : $\pm 0.04 \times (t_2 - t_1) \% \text{ of F. S.}$

where t_1 = reference temperature (+20°C) and t_2 = ambient temperature in °C.

Dimensions - Standard Version



Notes : • Drawings are not to scale. • All Dimensions are in mm. • NS = Nominal Size.

How To Order		Example
Basic Model		MUD
Code		
Nominal Size	60 150 mm	XX
Type of Mounting		
2	Direct bottom entry	X
Gauge Connection		
Nominal Size >		60
7NM	1-1/2" NPT (M)	✓
8NM	2" NPT (M)	✓
Range		0/100 kg/cm ²
Refer range table (Standard Ranges Should be in Dual Scale Kg/cm ² & PSI)		
Optional Extras		

Ordering Example: MUD - XX - X - XXX - 0/100 kg/cm²

Note : Specifications and dimensions given in this product catalogue represents the state of engineering at the time of printing. Modifications may take place and materials specified may be replaced by others without prior notice.